

IWAKI  
HI-CERA  
PUMPS

**V-07AFP06-P**



## High precision fixed dosing pump optimized for dialysis machines

Example of applications: Delivery of A and B dialysates and liquid removal

### High-temperature capability

Can be cleaned with water as hot as 95°C.

### Variable discharge

Discharge rate of 0.1 or 0.2 milliliters per shot can be selected by adjusting the angle setting on the pump head. (Configurable at time of order)

### Rotation sensor

With an integrated rotation sensor, the pump quickly detects errors and easily monitors discharge rates.

### High torque motor

The V-07AFP06 is equipped with a bipolar stepper motor. The motor generates approximately twice the torque output, with the same electric current, than the conventional unipolar motor. This eliminates problems such as plunger lock.

### Cleaning port

The cleaning port prevents seizing of the plunger. The plunger surface is kept clean at all times, allowing it to operate freely whenever needed.

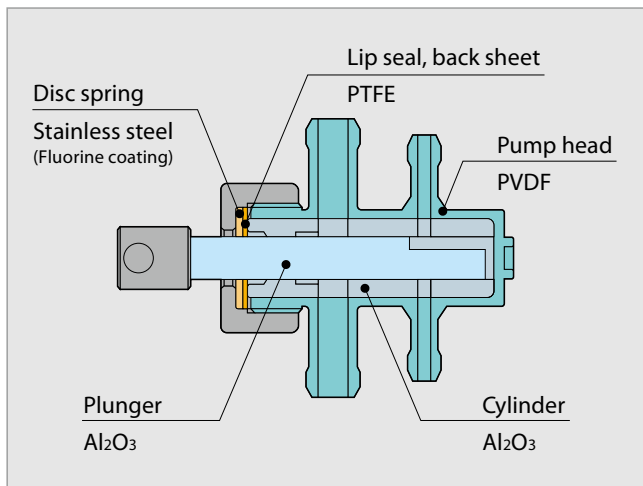
## Specifications

Model	V - 07 A F P 06 - P	
	01	02
1 shot flow	0.1 mL	0.2 mL
Flow rate	0.5 to 30 mL/min	1 to 60 mL/min
Stroke rate	5 to 300 rpm	
Precision dosing	±1 % <sup>Note 1</sup>	
Max. discharge pressure	200 kPa	
Liquid temperature	10 to 40 °C	
Temperature for hot water cleaning	Max. 95 °C (do not clean for more than 30 minutes at a time)	
Atmosphere temperature	0 to 50 °C <sup>Note 2</sup>	
Weight	700 g	
Dimensions	143 mm × 78.5 mm × 77 mm	
Motor	2-phase bipolar stepper motor	
Power voltage range	24 VDC	

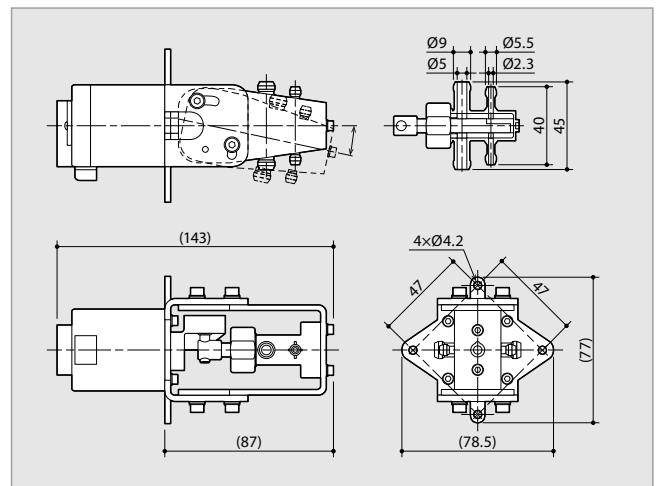
Note 1: Operated under the following conditions: 100 rpm speed, 10 shots and no pressure.

Note 2: 0 to 60°C during cleaning

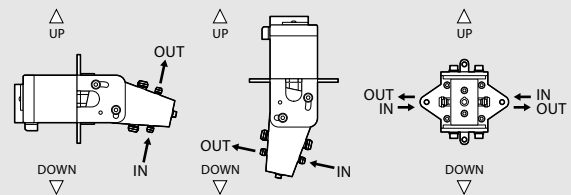
## Wet end materials



## Dimensions in mm



### Mounting directions



IWAKI CO., LTD. 6-6 Kanda-Sudacho 2-chome Chiyoda-ku Tokyo 101-8558 Japan TEL : (81)3 3254 2935 FAX : 3 3252 8892

IWAKI has global net work. Please find your distributor location at [www.iwakipumps.jp](http://www.iwakipumps.jp)

European office : IWAKI Europe GmbH  
 Germany : IWAKI Europe GmbH  
 Holland : IWAKI Europe GmbH (Netherlands Branch)  
 Italy : IWAKI Europe GmbH (Italy Branch)  
 Spain : IWAKI Europe GmbH (Spain Branch)  
 Belgium : IWAKI Belgium N.V.  
 Denmark : IWAKI Nordic A/S  
 Finland : IWAKI Suomi Oy  
 France : IWAKI France S.A.  
 Norway : IWAKI Norge AS  
 Sweden : IWAKI Sverige AB  
 U.K. : IWAKI Pumps (UK) Ltd.

TEL: (49)2154 9254 0 FAX: 2154 9254 48  
 TEL: (49)2154 9254 50 FAX: 2154 9254 55  
 TEL: (31)74 2420011 FAX: (49)2154 925448  
 TEL: (39)0444 371115 FAX: 0444 335350  
 TEL: (34)93 37 70 198 FAX: 93 47 40 991  
 TEL: (32)13 67 02 00 FAX: 13 67 20 30  
 TEL: (45)48 24 2345 FAX: 48 24 2346  
 TEL: (358)9 2745810 FAX: 9 2742715  
 TEL: (33)1 69 63 33 70 FAX: 1 64 49 92 73  
 TEL: (47)23 38 49 00 FAX: 23 38 49 01  
 TEL: (46)8 511 72900 FAX: 8 511 72922  
 TEL: (44)1743 231363 FAX: 1743 366507  
 ( ) Country codes

U.S.A. : IWAKI America Inc.  
 Argentina : IWAKI America Inc. (Argentina Branch)  
 Singapore : IWAKI Singapore Pte Ltd.  
 Indonesia : IWAKI Singapore (Indonesia Office)  
 Malaysia : IWAKIm Sdn. Bhd.  
 Australia : IWAKI Pumps Australia Pty Ltd.  
 Hong Kong : IWAKI Pumps Co., Ltd.  
 China : GFTZ IWAKI Engineering & Trading Co., Ltd.  
 : IWAKI Pumps (Shanghai) Co., Ltd.  
 Korea : IWAKI Korea Co., Ltd.  
 Taiwan : IWAKI Pumps Taiwan Co., Ltd.  
 Thailand : IWAKI (Thailand) Co., Ltd.  
 Vietnam : IWAKI Pumps Vietnam Co., Ltd.

TEL: (1)508 429 1440 FAX: 508 429 1386  
 TEL: (54)11 4745 4116 FAX: 6316 3221  
 TEL: (65)6316 2028 FAX: 21 6906612  
 TEL: (62)21 6906606 FAX: 3 7803 4800  
 TEL: (60)3 7803 8807 FAX: 2 9899 2421  
 TEL: (61)2 9899 2411 FAX: 2607 1000  
 TEL: (852)2607 1168 FAX: 20 84359181  
 TEL: (86)20 84350603 FAX: 21 6272 6929  
 TEL: (86)21 6272 7502 FAX: 2 2630 4801  
 TEL: (82)2 2630 4800 FAX: 2 8227 6818  
 TEL: (886)2 8227 6900 FAX: 2 322 2477  
 TEL: (66)2 322 2471 FAX: 2 322 2477  
 TEL: (84)613 933456 FAX: 613 933399

**Caution for safety use:**  
 Before use of pump, read instruction manual carefully to use the product correctly.

**Legal attention related to export.**

Our products and/or parts of products fall in the category of goods contained in control list of international regime for export control. Please be reminded that export license could be required when products are exported due to export control regulations of countries.

The posting and copying from this catalogue without permission is not accepted firmly.

Actual pumps may differ from the photos. Specifications and dimensions are subject to change without prior notice. For further details please contact us.