

Electromagnetic metering pumps

High pressure type



- ideal for boiler chemical injection into pressurized pipelines.*
- Max. discharge pressure: 2.0MPa (Max. 240spm)

*Observe the maximum discharge pressure.



Specifications

Pump

Model	EWN-B11-H2		
	PC/PH	SH	
Type			
Max. discharge capacity	17		
	0.05 to 0.07		
Max. discharge pressure	2.0		
Stroke length	70 to 100		
Stroke rate	1 to 240		
Connection (Hose dia.)	Outlet: R1/4, Inlet/Air vent: $\varnothing 4 \times \varnothing 6$		Outlet/Inlet/Air vent: Rc1/4
Power voltage	AC100 to 240 50/60Hz single phase		
Current	0.8		
Average power consumption	20		
Accessory	Check valve CS-1E-27		

• Operating condition: Liquid temperature range is -10 to 60 °C, Ambient temperature range is 0 to 40 °C
 • Max. discharge capacity represents the figure when pumping clear water at ambient temperature at max. discharge pressure. Pump discharges more liquid than shown above if it runs at lower discharge pressure. If discharge pressure is 0.12MPa or lower, be sure to use check valve to avoid over-feeding.

Controller

Operation mode	MAN	0.1 to 100% stroke rate	
	EXT	DIV (Dividing)	/1 to 9999
		MULT (Multiply)	x1 to 9999
		ANA.R (Analog, rigid)	4 to 20, 0 to 20, 20 to 4, 20 to 0 mA
	ANA.V (Analog, variable)	2 points 0.0 to 20.0 mA range 0.0 to 100% stroke rate	
Display	LCD	14seg 5digits	%, ml/m, L/H, GPH, STOP, PRIME, AUX etc
	LED	ON	Green lights when power is put and blinks synchronous with stroke.
		Stop	Orange/Red
Keypad	5 Keys	Start/Stop, \blacktriangle (UP), \blacktriangledown (DOWN), EXT, DISP	
Control function	STOP/Pre-Stop	Pump keeps running when Pre-STOP is activated. Pump stops when STOP is activated.	
	Prime	Pump runs at max. stroke rate while up and down keys are pushed.	
	Key lock	Key can be locked and unlocked.	
	Calibration	Discharge capacity per shot is calculated automatically by operating and stopping pump at calibration mode to make flow rate indication possible.	
	Buffer memory	ON or OFF is selectable. Max. 65535 stroke pulses are put in memory.	
Input	Pulse	Non Voltage contact or open collector, Max. 200Hz	
	Current	DC0 to 20 mA (Input resistance 200 Ω)	
	Level sensor	Non Voltage contact or open collector, 2- steps contact	
	AUX	Pump runs at max. stroke rate while AUX signal is input.	
Output		Photo-MOS relay 24VAC/DC 0.1A	
		STOP, Synchronous with stroke	
		Synchronous with stroke is standard.	
Power voltage	100 to 240 VAC 50/60Hz (90 to 264 VAC)		

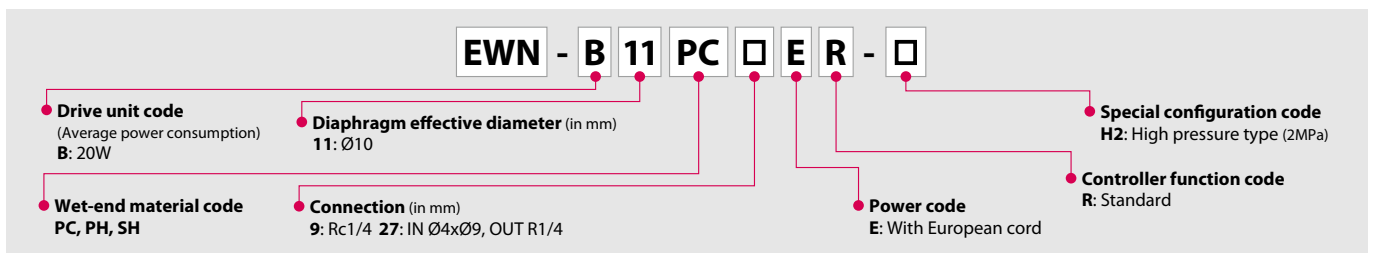
Note 1: If the max. stroke rate by calculation exceeds 100% stroke rate because of the relation between the setting and input signal when the pump is in EXT operation, the operation is fixed at Maximum stroke rate speed of manual operation.

Note 2: By changing the setting, the pump can run when the contact signal comes in.

Note 3: The max. frequency of input pulse is 200 Hz. ON time of input pulse is 10 to 100 ms.

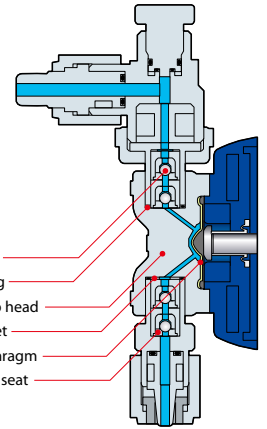
Note 4: The max. chargeable voltage to a contact is 12V and current is 2.3mA. If a contact such as relay is used, the minimum application load should be 1mA or below.

Pump identification



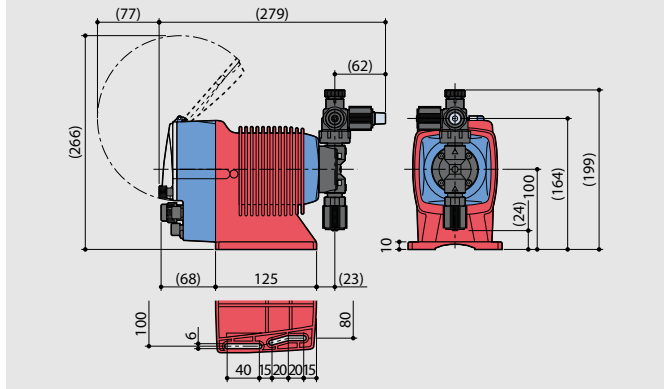
Constructions and materials

Material code	PC	PH	SH
Pump head	GFRPP		SUS316
Valve	CE	HC	
Valve seat	FKM	EPDM	SUS316
Gasket	PTFE		
O ring	FKM	EPDM	—
Diaphragm	PTFE+EPDM		

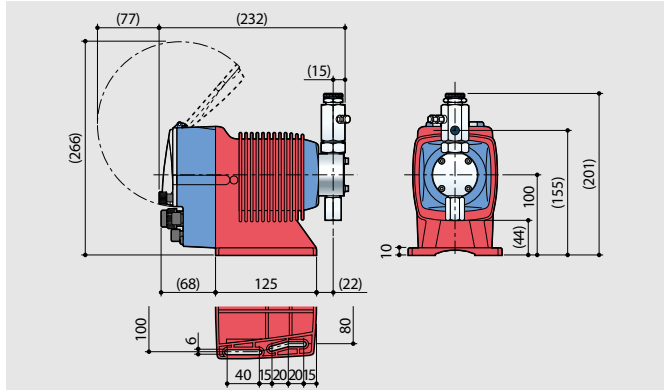


Dimensions in mm

EWN-B11PC/PH-H2



EWN-B11SH-H2



www.iwakiumps.jp

IWAKI CO.,LTD. 6-6 Kanda-Sudacho 2-chome Chiyoda-ku Tokyo 101-8558 Japan TEL : (81)3 3254 2935 FAX : 3 3252 8892

EUROPE / U.S.A.

European office	: IWAKI Europe GmbH	TEL: (49)2154 9254 0	FAX: 2154 9254 48
Holland	: IWAKI Europe (NL Branch)	TEL: (31)547 293 160	FAX: 547 292 332
Austria	: IWAKI Europe GmbH	TEL: (49)2154 9254 0	FAX: 2154 9254 48
Belgium	: IWAKI Belgium N.V.	TEL: (32)13 67 02 00	FAX: 13 67 20 30
Denmark	: IWAKI Nordic A/S	TEL: (45)48 24 2345	FAX: 48 24 2346
Finland	: IWAKI Suomi Oy	TEL: (358)9 2745810	FAX: 9 2742715
France	: IWAKI France S.A.	TEL: (33)1 69 63 33 70	FAX: 1 64 49 92 73
Germany	: IWAKI Europe GmbH	TEL: (49)2154 9254 50	FAX: 2154 9254 55
Italy	: IWAKI Italia S.R.L.	TEL: (39)0444 371115	FAX: 0444 335350
Norway	: IWAKI Norge AS	TEL: (47)23 38 49 00	FAX: 23 38 49 01
Spain	: IWAKI Iberica Pumps, S.A.	TEL: (34)943 630030	FAX: 943 628799
Sweden	: IWAKI Sverige AB	TEL: (46)8 511 72900	FAX: 8 511 72922
Switzerland	: IWAKI (Schweiz) AG	TEL: (41)26 674 93 00	FAX: 26 674 93 02
U.K.	: IWAKI Pumps (UK) Ltd.	TEL: (44)1743 231363	FAX: 1743 366507
U.S.A.	: IWAKI America Inc.	TEL: (1)508 429 1440	FAX: 508 429 1386
Argentina	: IWAKI America Inc. (Argentina Branch)	TEL: (54)11 4745 4116	

ASIA / OCEANIA

Australia	: IWAKI Pumps Australia Pty Ltd.	TEL: (61)2 9899 2411	FAX : 2 9899 2421
China			
Hong Kong	: IWAKI Pumps Co., Ltd.	TEL: (852)2607 1168	FAX: 2607 1000
Shanghai	: IWAKI Pumps (Shanghai) Co., Ltd.	TEL: (86)21 6272 7502	FAX: 21 6272 6929
Guangzhou	: GFTZ IWAKI Engineering & Trading Co., Ltd.	TEL: (86)20 8435 0603	FAX: 20 8435 9181
Beijing	: GFTZ Iwaki Engineering & Trading Co., Ltd. (Beijing office)	TEL: (86)10 6442 7713	FAX: 10 6442 7712
Korea	: IWAKI Korea Co.,Ltd.	TEL: (82)2 2630 4800	FAX: 2 2630 4801
Malaysia	: IWAKIm Sdn. Bhd.	TEL: (60)3 7803 8807	FAX: 3 7803 4800
Singapore	: IWAKI Singapore Pte Ltd.	TEL: (65)6316 2028	FAX: 6316 3221
Indonesia	: IWAKI Singapore (Indonesia Branch)	TEL: (62)21 6906606	FAX: 21 6906612
Taiwan	: IWAKI Pumps Taiwan Co., Ltd.	TEL: (886)2 8227 6900	FAX: 2 8227 6818
Thailand	: IWAKI (Thailand) Co.,Ltd.	TEL: (66)2 322 2471	FAX: 2 322 2477
Vietnam	: IWAKI Pumps Vietnam Co., Ltd.	TEL: (84)613 933456	FAX: 613 933399

()Country codes

Caution for safety use: Before use of pump, read instruction manual carefully to use the product correctly.

Actual pumps may differ from the photos. Specifications and dimensions are subject to change without prior notice. For further details please contact us.

Legal attention related to export.

Our products and/or parts of products fall in the category of goods contained in control list of international regime for export control. Please be reminded that export license could be required when products are exported due to export control regulations of countries.

